



The **pebble** is a COTS, ruggedized, EMI silent power supply for avionics and mobile applications requiring high levels of EMI management and ruggedness

Designed for harsh applications, the pebble is available with a wide-ranging AC input or wide-ranging DC input.

Integrated PFC and EMI filtering allows for direct connection to any source.

Familiar look and feel of a commercial power adaptor.

- Universal AC input range; 90V to 264VAC @ 50Hz
- Wide DC input range; 18 to 38VDC
- MIL-STD 1275A-E | MIL-STD 704A-F | DO-160E-G | DEF-STAN 59-411 | SDIP-27 Level-B
- MIL-STD 461 E-F EMC Compliance
- DEF-STAN 00-35 & MIL-STD 810 D-F Environmental Compliance
- Efficiency up to 96%
- 4 Year warranty
- >750,000 hours MTBF
(MIL-STD 217F, GB, 25°C)
- CE Marked LVD & EMC
- Isolation Class I & Class II compliant¹
- Active PFC
- Short Circuit | Overload | Overvoltage protection
- IP65 Ingress Protection | Flying Input Lead Variant
- Wide Operating Temperature: -20C to +60C



¹ PEBBLE100-A only

for further information please contact on-systems

0844 809 4608

sales@on-systems.co.uk

www.on-systems.co.uk



Part Number Characteristics; PEBBLE100

Part Number	Output Power	Input Voltage Range	Output Voltage	Output Load regulation	Max Output Current	Output Ripple & Noise pk-pk	Current Limit Set Point	Efficiency (Typical at full load)
PEBBLE100-A-17	100W	90-264VAC	17VDC					96%
PEBBLE100-A-19	100W	90-264VAC	19V DC					96%
PEBBLE100-A-20	100W	90-264VAC	20V DC					96%
PEBBLE100-A-24	100W	90-264VAC	24V DC					96%
PEBBLE100-D-17	100W	18-38VDC	17VDC					
PEBBLE100-D-19	100W	18-38VDC	19VDC					
PEBBLE100-D-20	100W	18-38VDC	20VDC					
PEBBLE100-D-24	100W	18-38VDC	24VDC					

As standard power supply is provided with unterminated cables.
Please call to discuss connector requirements.

for further information please contact on-systems

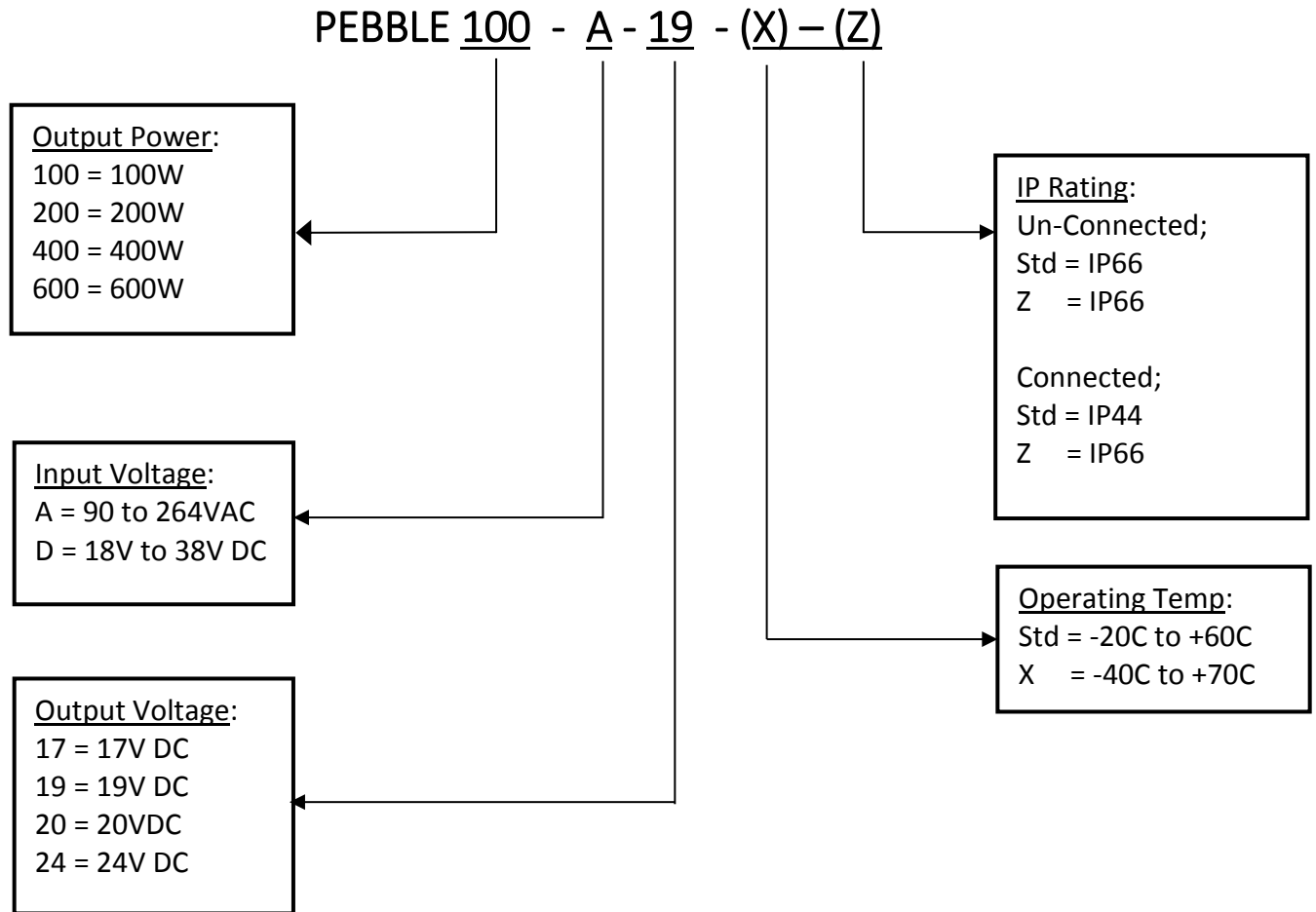
0844 809 4608

sales@on-systems.co.uk

www.on-systems.co.uk



Part Number Configuration



for further information please contact on-systems

0844 809 4608

sales@on-systems.co.uk

www.on-systems.co.uk



Environmental Specifications

Shock:	DO-160G Shock $\pm 6g$, 11ms in any direction BS EN60068-2-27 15g shock 11ms $\frac{1}{2}$ sine
Vibration:	DO-160G Section 8 Procedure 8.7.2 Test Level C1
Operating Humidity:	DO-160G Section 6 category B; 90%
Operating Temperature:	-20C to +60C Standard -40C to +70C Option X
Storage Temperature:	-40C to +70C Standard -65C to +120C option X
Operating Altitude:	+51,000ft -1,500ft
Over-temperature Shutdown:	+70C, automatic restart at +55C
Cooling:	Convection cooled
RoHS:	Directive 2002-95-EC
WEEE:	Directive 2002-96-EC
REACH:	EU-1907-2006
HAZMAT compliant	
Design Lifetime:	Units are designed for minimum 25 years' service life, and the unit does not contain any components that require periodic maintenance

EMC

Safety Approvals:	EN60950-1:2006
Emissions:	MIL-STD 461F DEF-STAN 59-411 SDIP-27 B
ESD Immunity:	EN61000-4-2, Level 3
Radiated Immunity:	EN61000-4-3, 10V/m, Level 3 Performance criteria A DEF-STAN 59-411 DRE01.B, DRE02.B, RE102, RE103
Surge:	EN61000-4-5, Installation class 2 & 3, Performance criteria A
Conducted Immunity:	EN61000-4-6, 10V RMS, Performance criteria A DEF-STAN 59-411 DCE01.B, DCE02.B, DCE03.B

for further information please contact on-systems

0844 809 4608

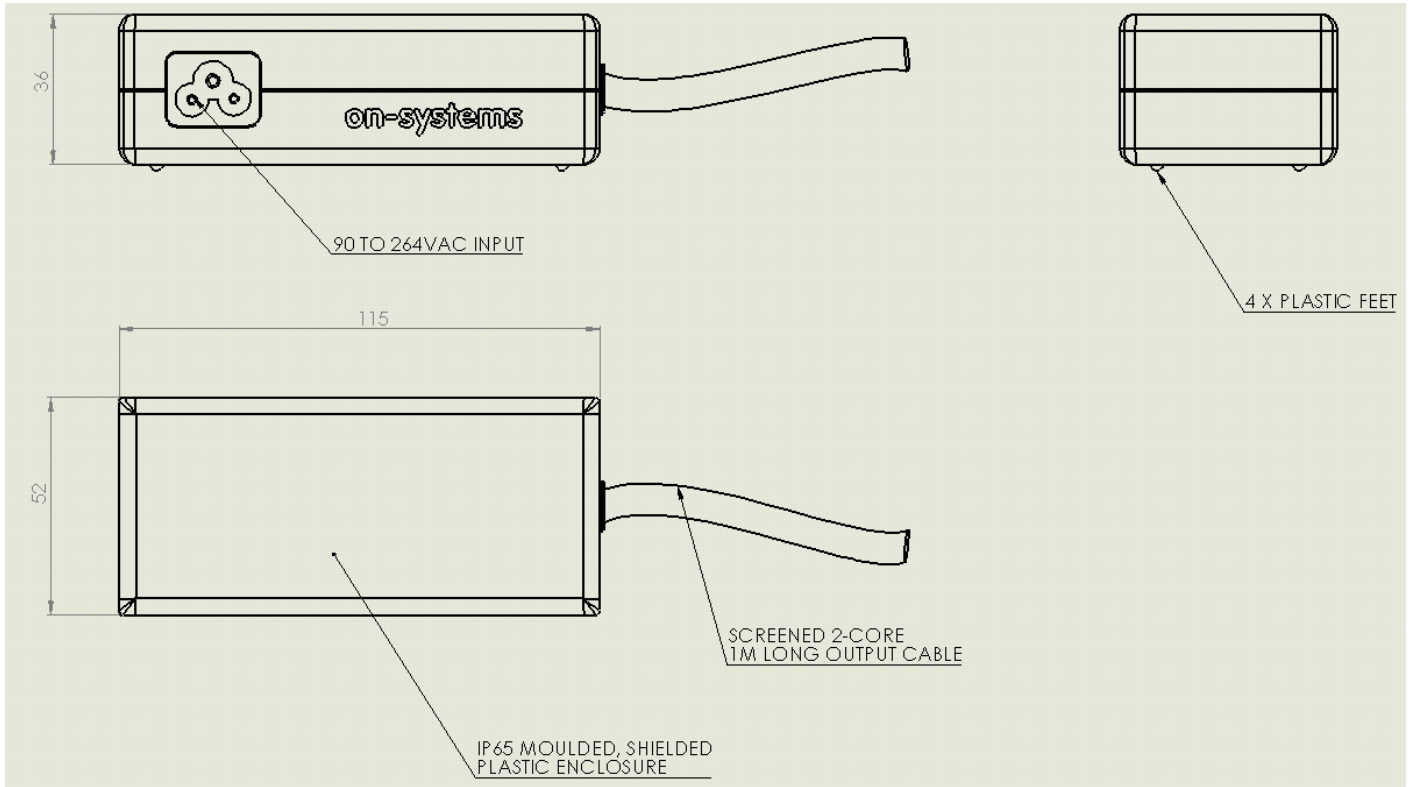
sales@on-systems.co.uk

www.on-systems.co.uk

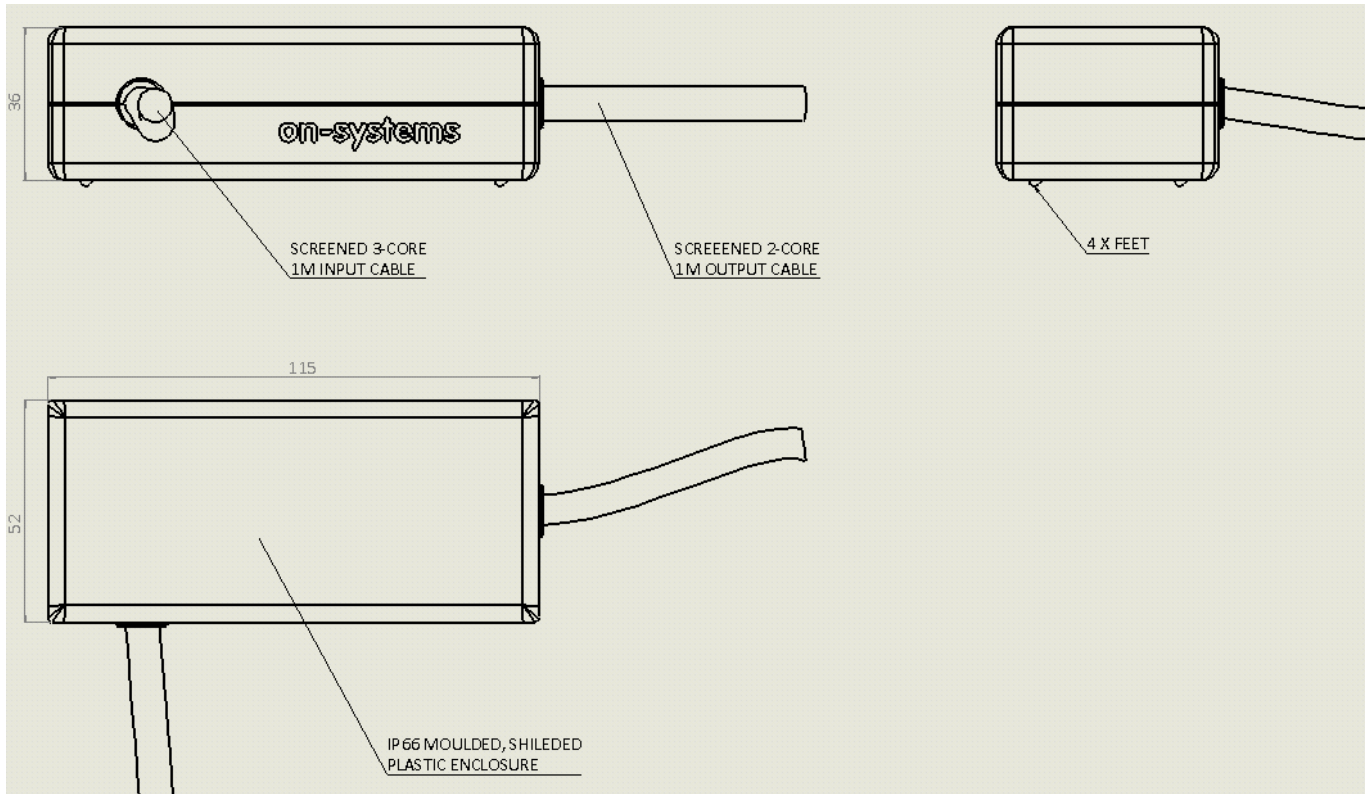


Mechanical Drawing & Pinouts

PEBBLE100



PEBBLE100 (Z OPTION)



for further information please contact on-systems

0844 809 4608

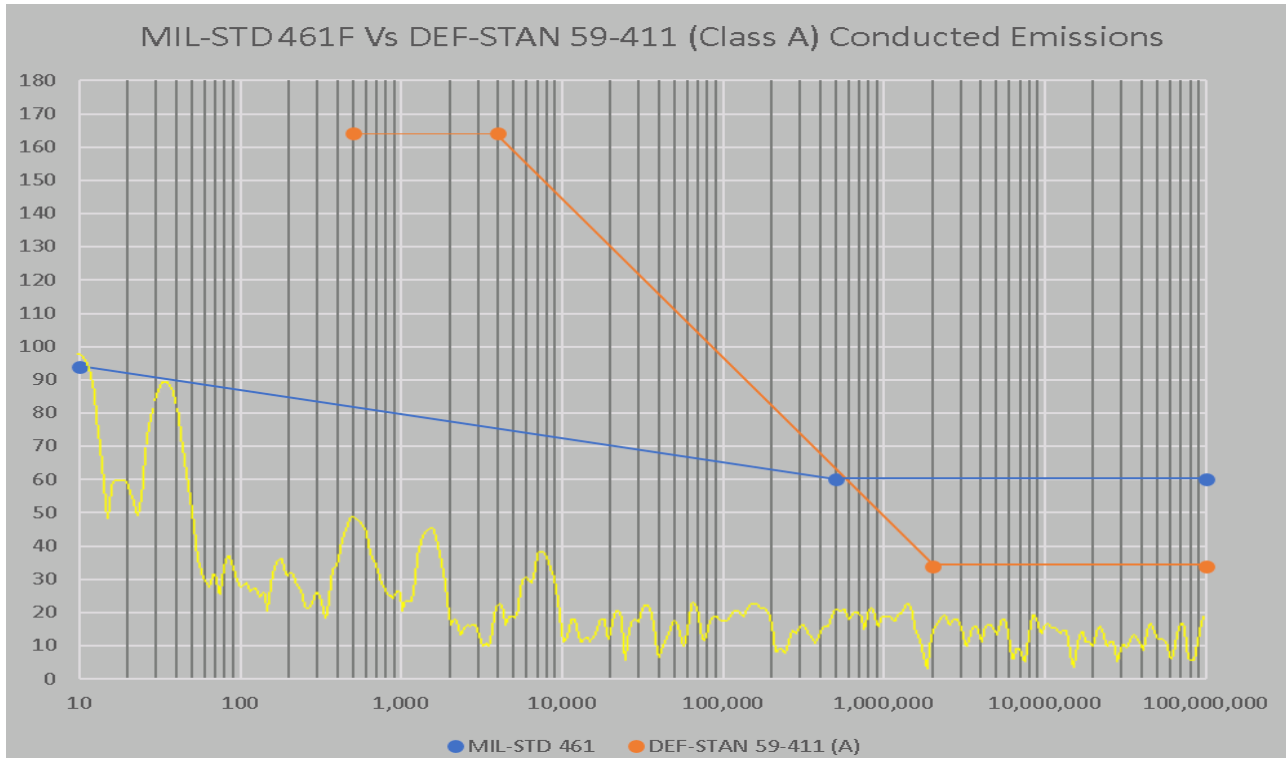
sales@on-systems.co.uk

www.on-systems.co.uk

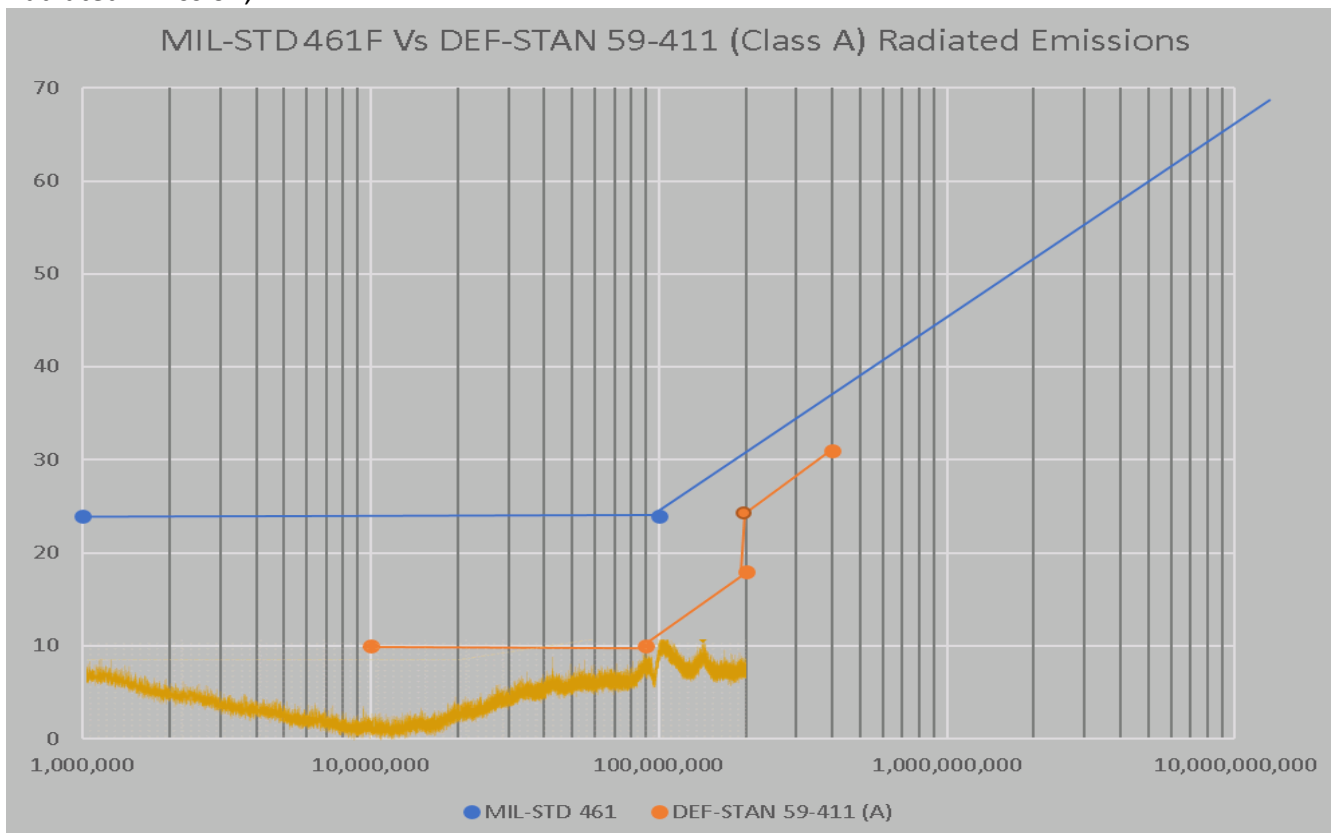


Emissions Testing

Conducted Emissions;



Radiated Emission;



for further information please contact on-systems

0844 809 4608

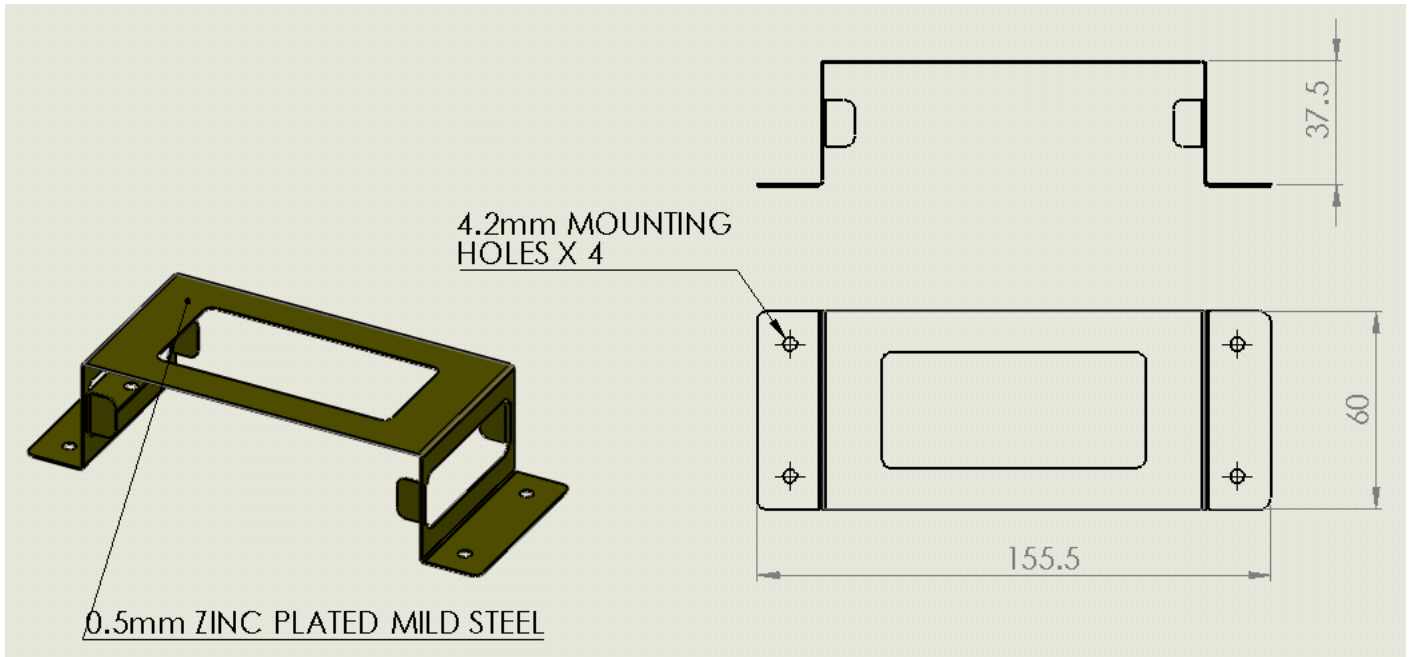
sales@on-systems.co.uk

www.on-systems.co.uk



Accessories:

Mounting Bracket;



Ordering Part Number: PEBBLE100-BRACKET

for further information please contact on-systems

0844 809 4608

sales@on-systems.co.uk

www.on-systems.co.uk